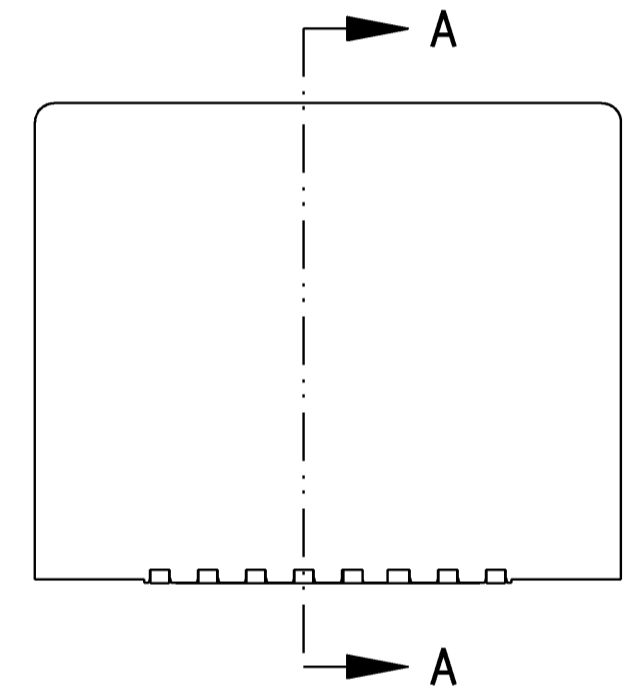
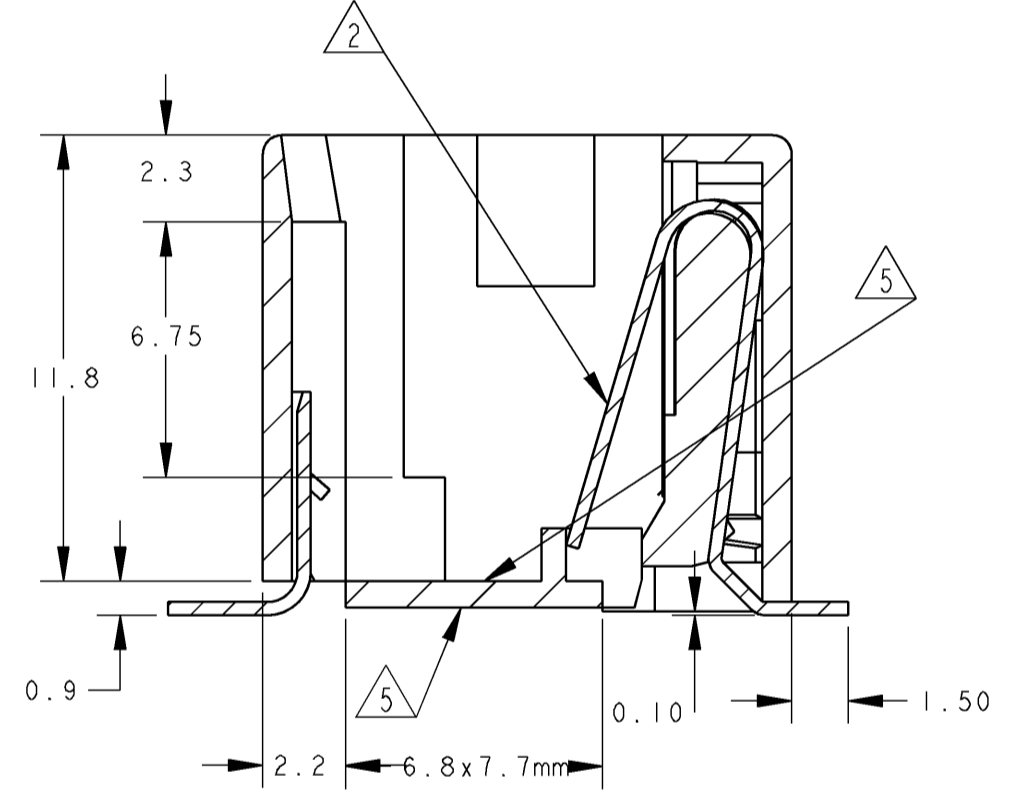
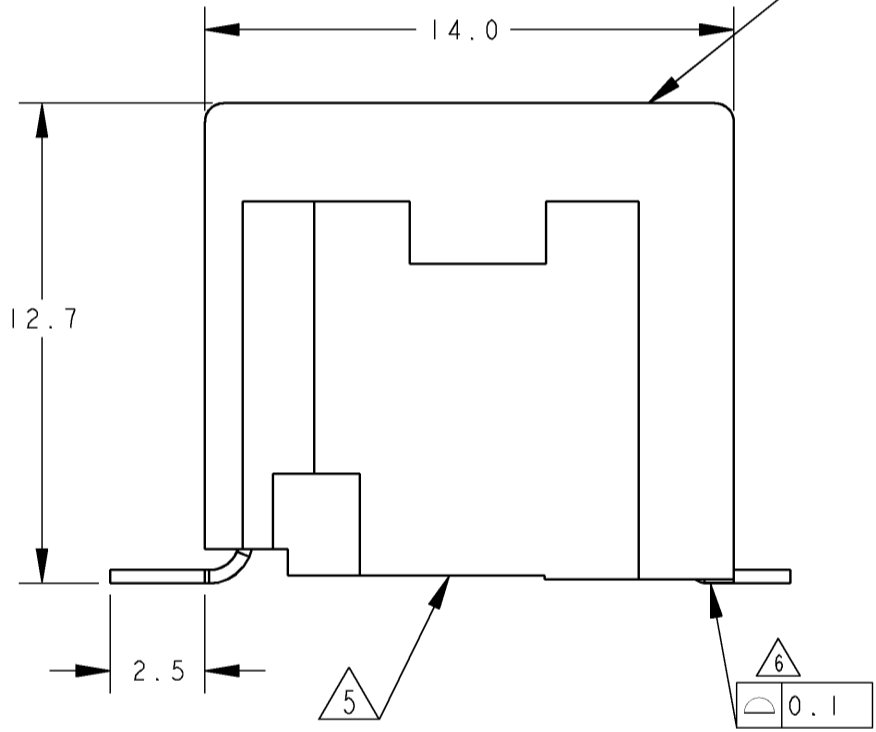
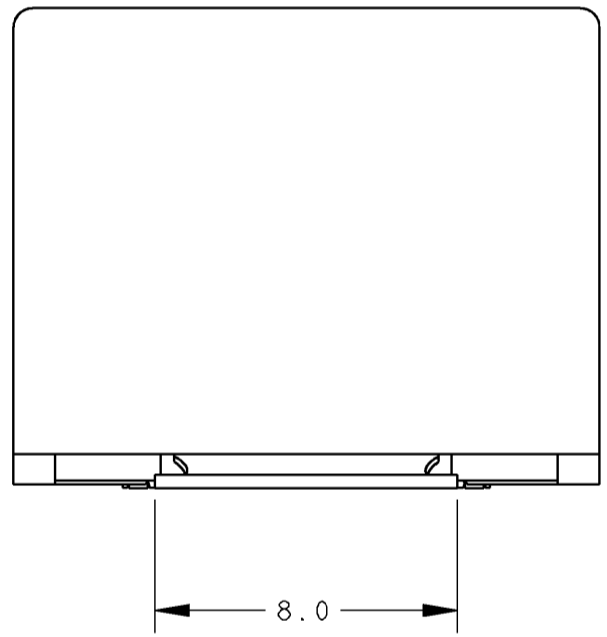
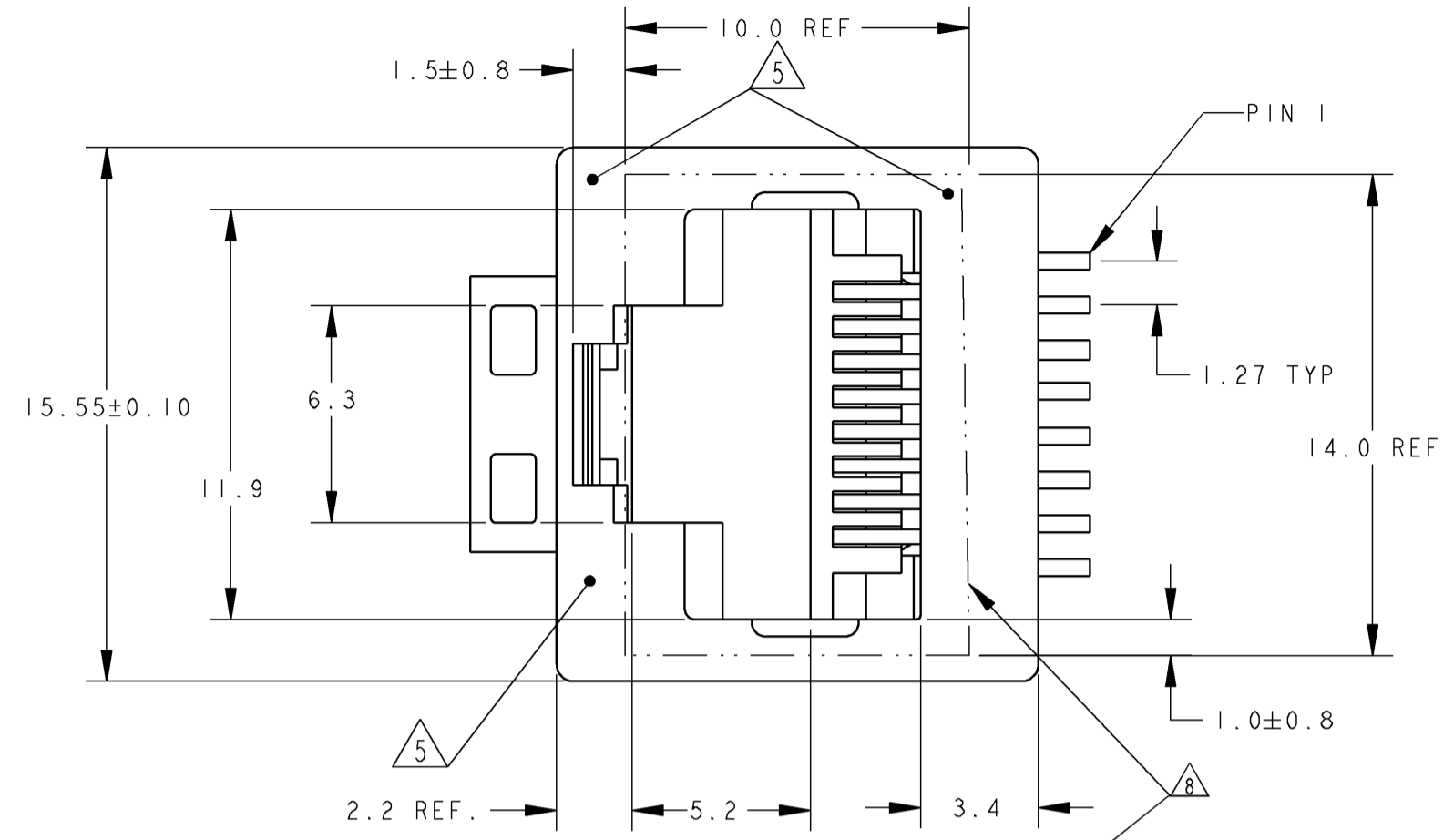
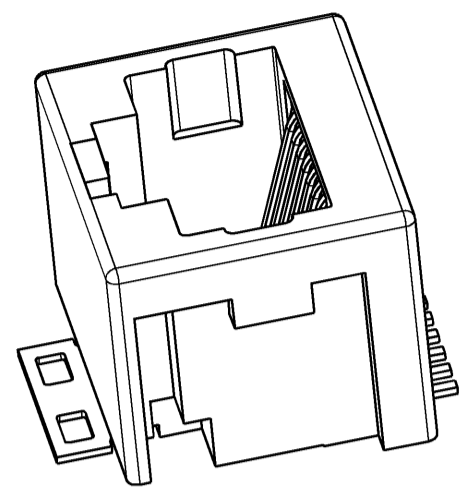


THIS DRAWING IS UNPUBLISHED. RELEASED FOR PUBLICATION
 © COPYRIGHT BY TYCO ELECTRONICS CORPORATION. ALL RIGHTS RESERVED.

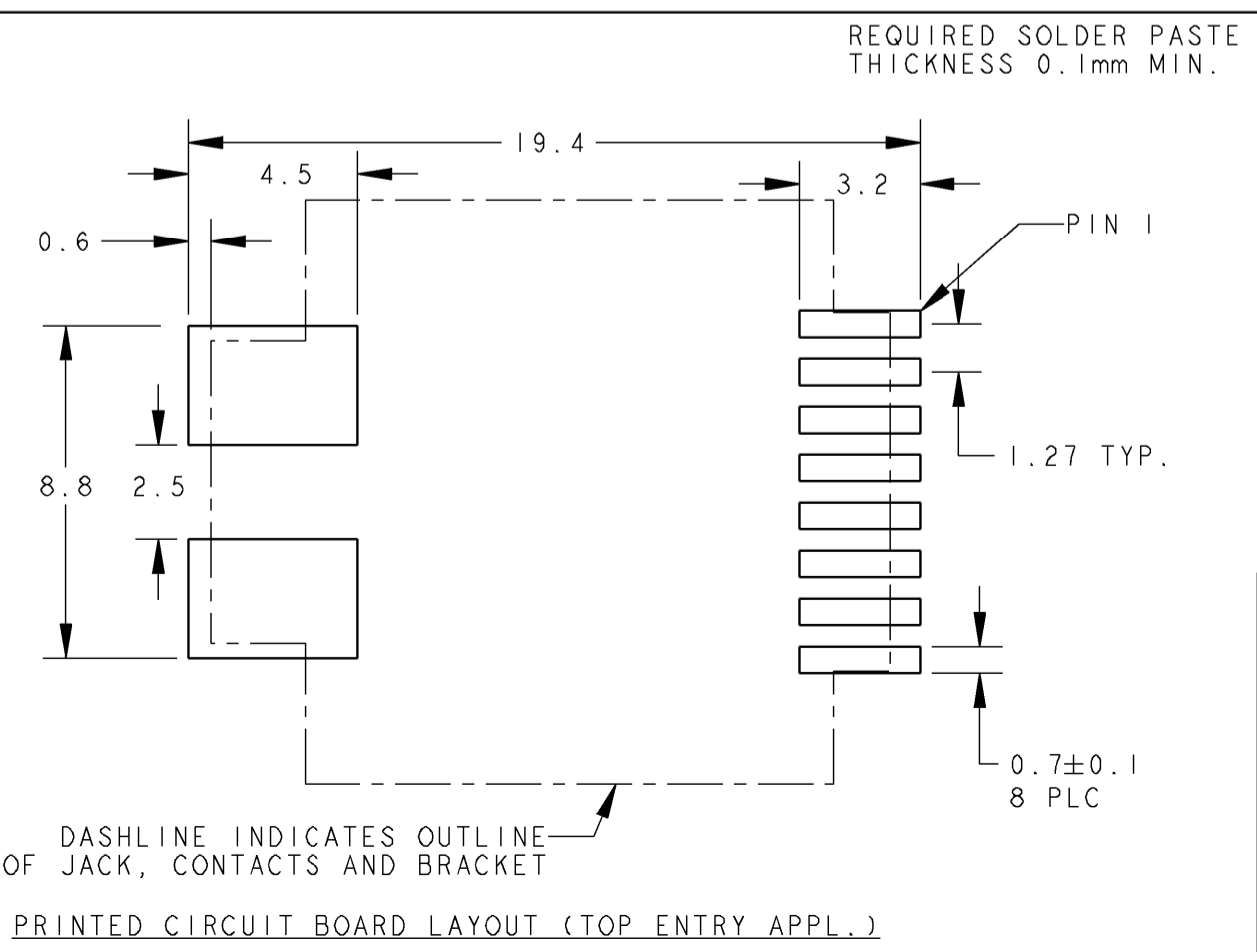
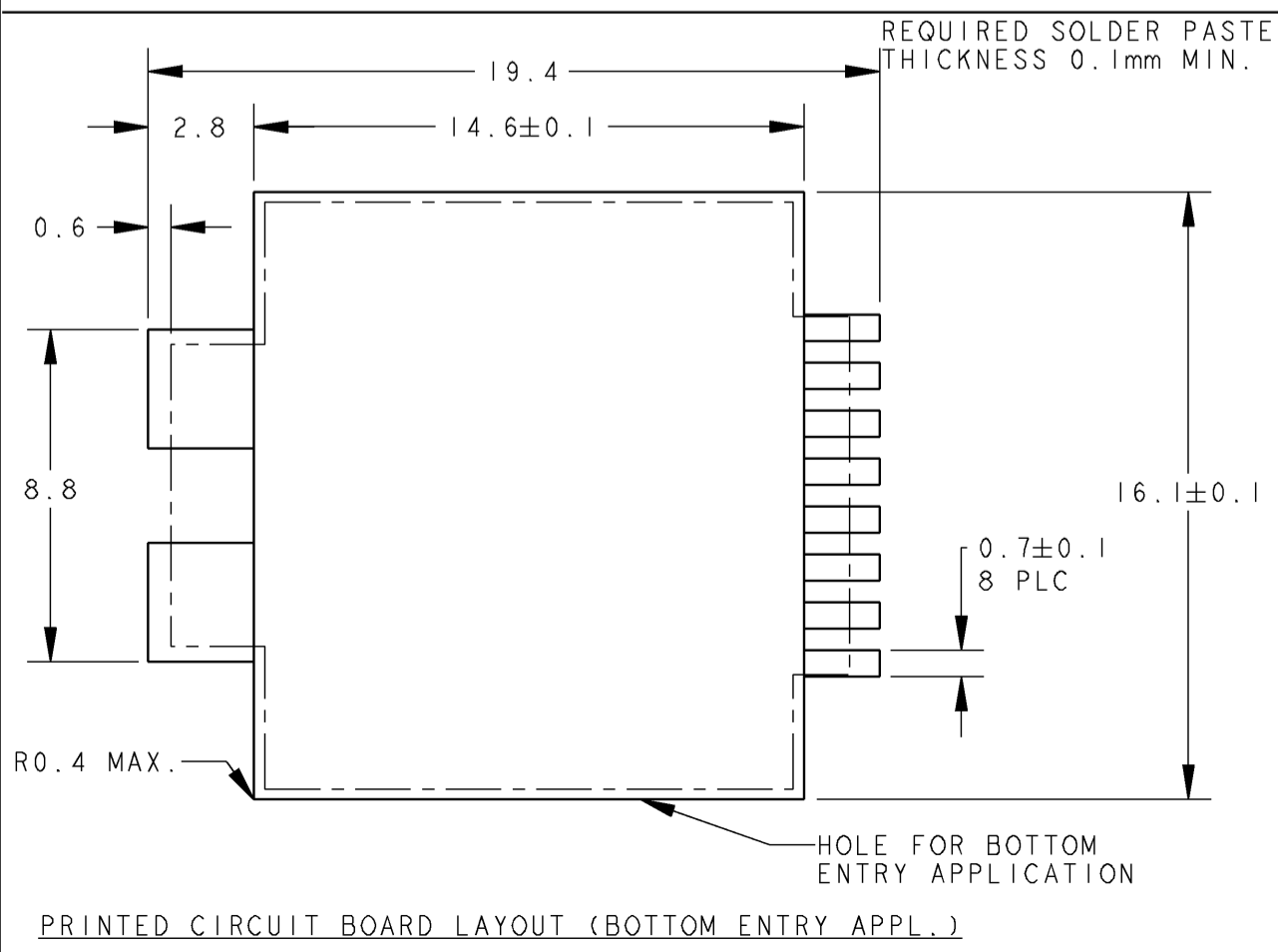
LOC	DIST	REVISIONS				
P	LTR	DESCRIPTION	DATE	DWN	APVD	
AA	22	S	EHI0-0136-04	08-SEP-04	PW	PG
		T	EHI0-0191-05	15FEB2005	PW	JB
		U	ECR-07-017392	26JUL2007	PCH	TdB
		V	ECR-08-000481	04FEB2008	PCH	TdB

NOTES:

- 1 TOLERANCES UNLESS OTHERWISE SPECIFIED: ± 0.15 .
- 2 CONTACT PLATING:
 1.27 μ m MIN. GOLD SELECTIVE IN CONTACT AREA,
 OVER 1.27 μ m MIN. NICKEL.
 3.5-5.0 μ m MIN. MATTE TIN ON SOLDER TINES.
- 3 MATERIAL:
 HOUSING: 30% G.F. P.A 9T, COLOR BLACK, UL 94V-0.
 CONTACTS: PHOSPHOR BRONZE
 SOLDER BRACKET: TINPLATED BRASS WITH NICKEL UNDERLAYER.
- 4 THIS JACK CAN ALSO BE APPLIED HANGING THROUGH A HOLE,
 IN A PRINTED CIRCUIT BOARD. SEE LEFT PCB LAYOUT.
- 5 SURFACE CAN BE USED FOR PICKING THE MODULAR JACK WITH,
 TYPE 11 SMD MACHINE.
- 6 MEASURED AT HEEL OF CONTACTS,
 COPLANARITY AT TIPS MAX. 0.18mm.
- 7 TAPE AND REEL PACKAGING ACCORDING TO EIA 481-3
 SPECIFICATIONS.
- 8 INCLUDES KAPTON TAPE (10mm x 14mm)
 ON TOP SURFACE FOR PICK AND PLACE UNIT



SECTION A-A



REMARKS	PACKAGING	PART NUMBER
8 POS./8 CONTACT	250PCS ON \varnothing 360mm OD REEL TOP ENTRY ORIENTATION PER DETAIL B1 WITH KAPTON TAPE FOR PICK AND PLACING	1-338088-6
8 POSN./8 CONTACT	250 PCS ON \varnothing 360mm OD REEL BOTTOM ENTRY ORIENTATION PER DETAIL B2	1-338088-5
8 POSN./8 CONTACT	500 PCS ON \varnothing 560mm OD REEL TOP ENTRY ORIENTATION PER DETAIL B1	2-338088-3
8 POSN./8 CONTACT	250 PCS ON \varnothing 360mm OD REEL TOP ENTRY ORIENTATION PER DETAIL B1	1-338088-3

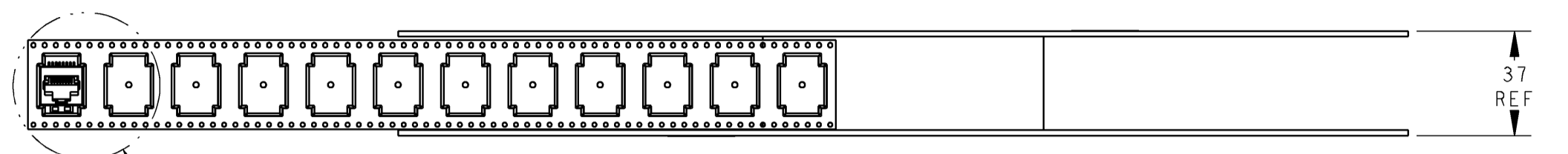
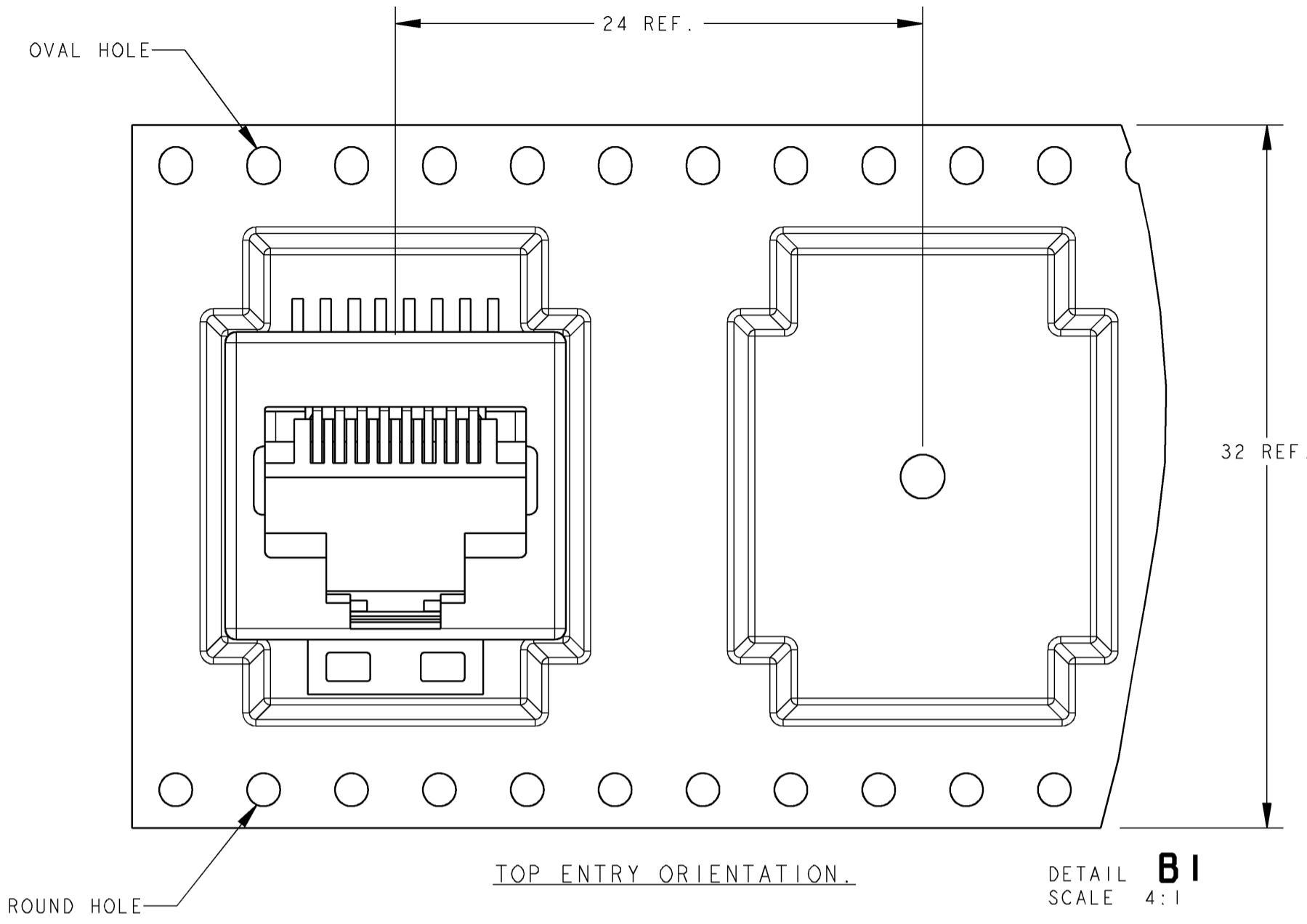
THIS DRAWING IS A CONTROLLED DOCUMENT FOR TYCO ELECTRONICS CORPORATION
 IT IS SUBJECT TO CHANGE AND THE CONTROLLING ENGINEERING ORGANIZATION
 SHOULD BE CONTACTED FOR THE LATEST REVISION.

DWN	30-Sep-96	Tyco Electronics Nederland B V 's-Hertogenbosch, The Netherlands			
CHK	Dec. '96				
APVD	R. SMEETS	NAME			
PRODUCT SPEC	108-19117	SIZE	CAGE CODE	DRAWING NO	RESTRICTED TO
APPLICATION SPEC	114-19041	A2	00779	G-338088	-
MATERIAL	SEE NOTE 3	WEIGHT	2.1 gr	CUSTOMER DRAWING	SCALE
TOLERANCES UNLESS OTHERWISE SPECIFIED:	SEE NOTE 2	SCALE	5:1	SHEET	1 OF 2
0 PLC \pm					REV
1 PLC \pm					V
2 PLC \pm					
3 PLC \pm					
4 PLC \pm					
ANGLES \pm					
FINISH					

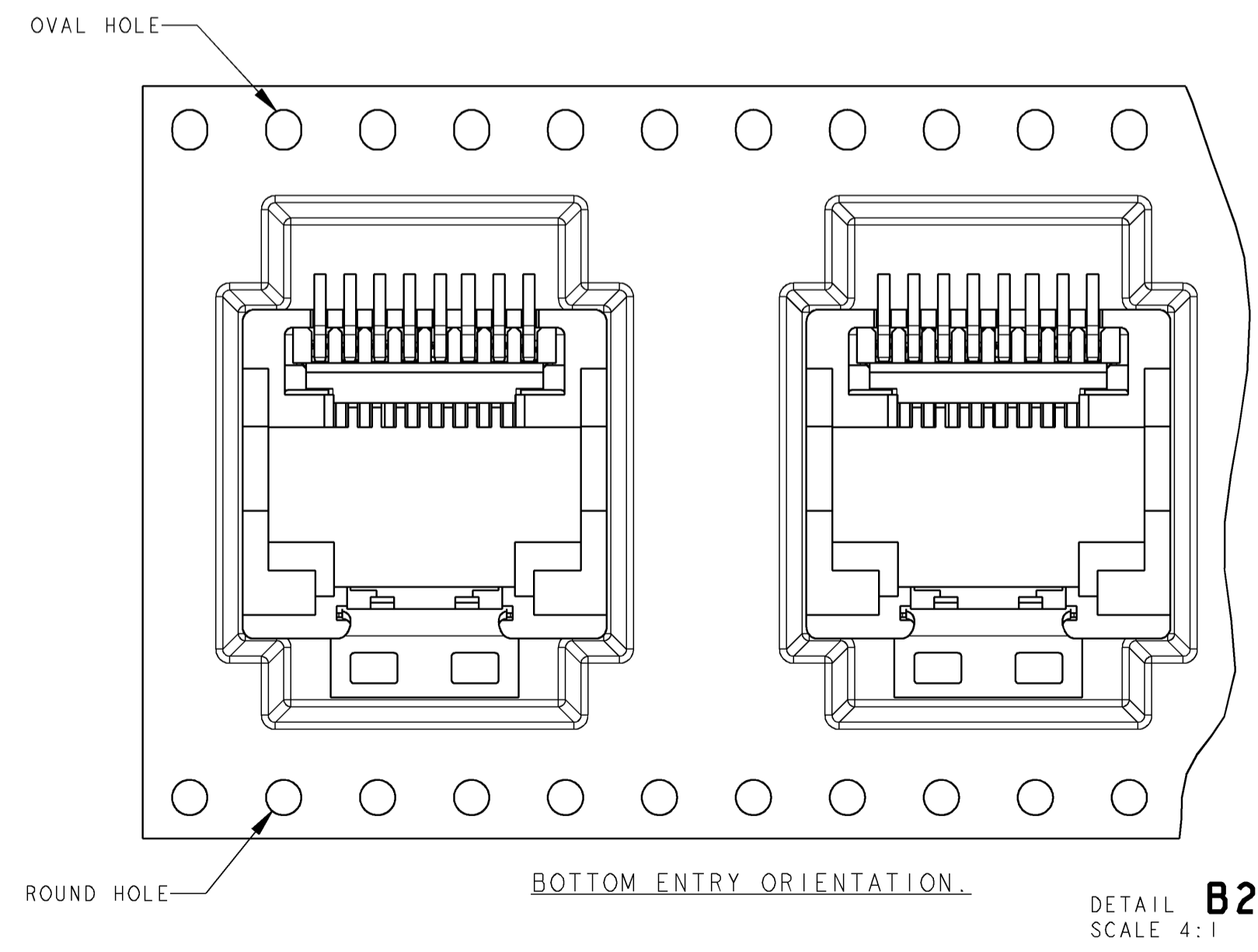
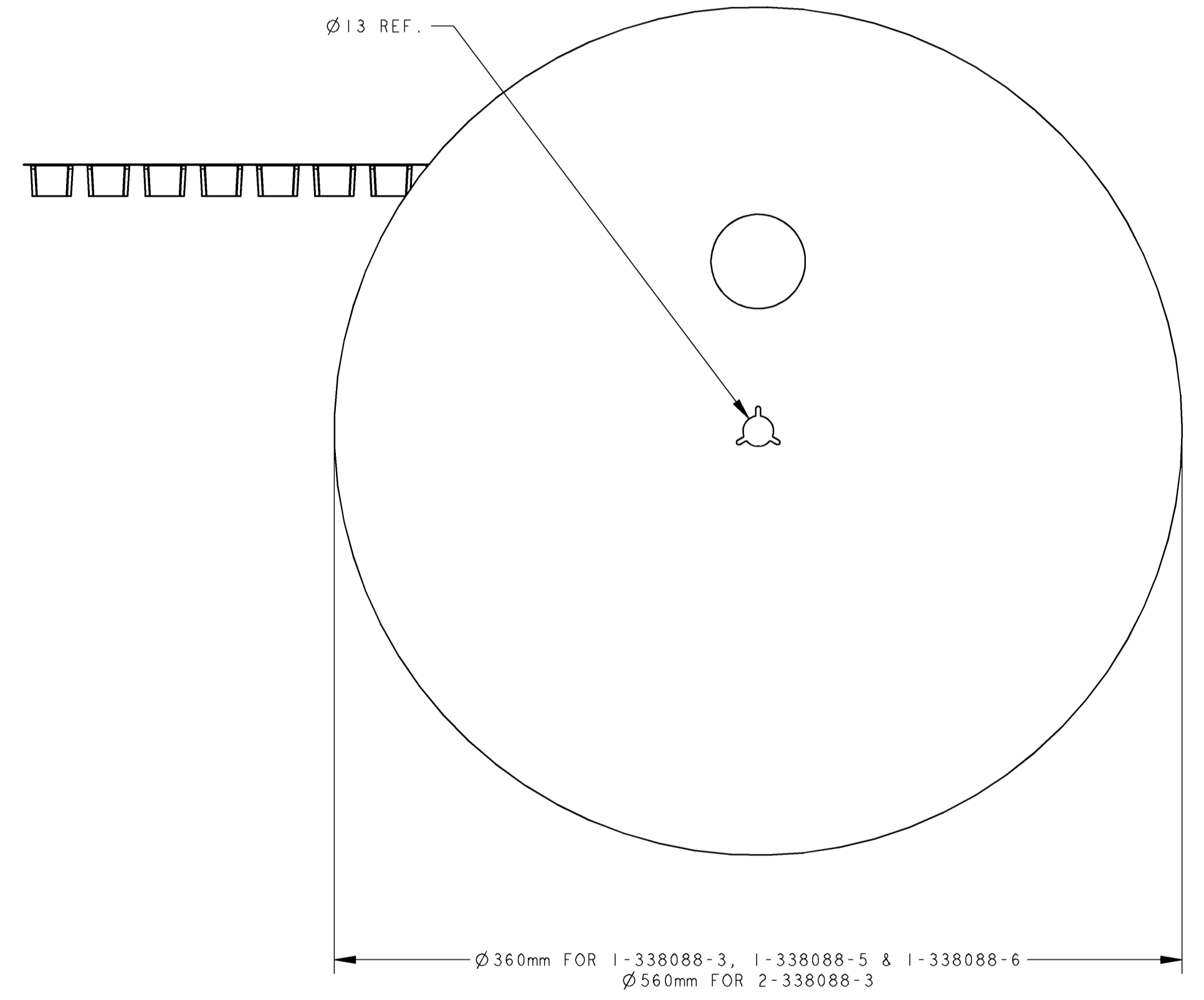
338088-C

THIS DRAWING IS UNPUBLISHED. RELEASED FOR PUBLICATION
 © COPYRIGHT BY TYCO ELECTRONICS CORPORATION. ALL RIGHTS RESERVED.

LOC	DIST	REVISIONS				
P	LTR	DESCRIPTION	DATE	DWN	APVD	
AA	22	SEE SHEET 1	-	-	-	



SEE DETAIL **B1 & B2**



THIS DRAWING IS A CONTROLLED DOCUMENT FOR TYCO ELECTRONICS CORPORATION IT IS SUBJECT TO CHANGE AND THE CONTROLLING ENGINEERING ORGANIZATION SHOULD BE CONTACTED FOR THE LATEST REVISION.		DWN E.v.ELJK 11-Oct-96	Tyco Electronics Nederland B V 's-Hertogenbosch, The Netherlands	
DIMENSIONS: mm		CHK E. STELLINGA Dec.'96	NAME INVERTIBLE MODULAR JACK, 8 POSITION, FOR SURFACE MOUNT APPLICATION	
TOLERANCES UNLESS OTHERWISE SPECIFIED: 0 PLC ± 1 PLC ± 2 PLC ± 3 PLC ± 4 PLC ± ANGLES ± FINISH -		APVD R. SMEETS	PRODUCT SPEC -	RESTRICTED TO -
MATERIAL -		APPLICATION SPEC -	WEIGHT -	SIZE A2
CUSTOMER DRAWING		SCALE 1:2	SHEET 2 OF 2	REV V